



WHAT'S INCLUDED:

- 1 x LED Light Bar
- Side and Bottom Mounting Brackets
- Mounting Hardware

FEATURES & SPECIFICATIONS:

- Light Output: 5,700 Lumens
- Power: 150W @ 13.6V DC
- Current: 11.0A @ 13.6V DC
- Voltage: 9 - 36V DC
- Dimension (H,W,D): 4.1 x 50.1 x 7.1 CM
- Beam Pattern: Driving Beam

L7 SERIES BAR

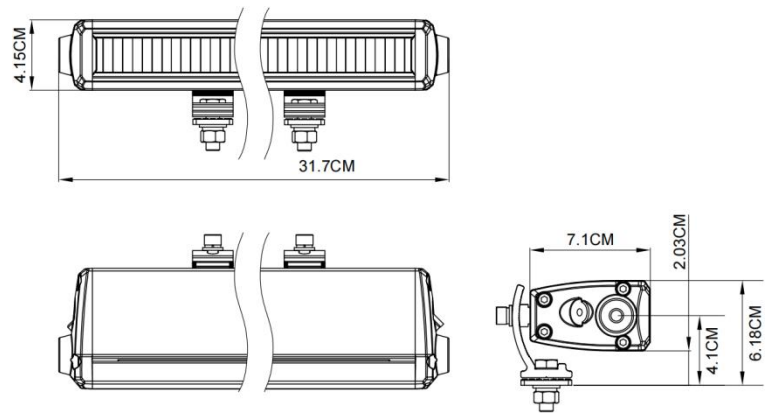
47B812

L7 SERIES BAR

20" STRAIGHT LED LIGHT BAR

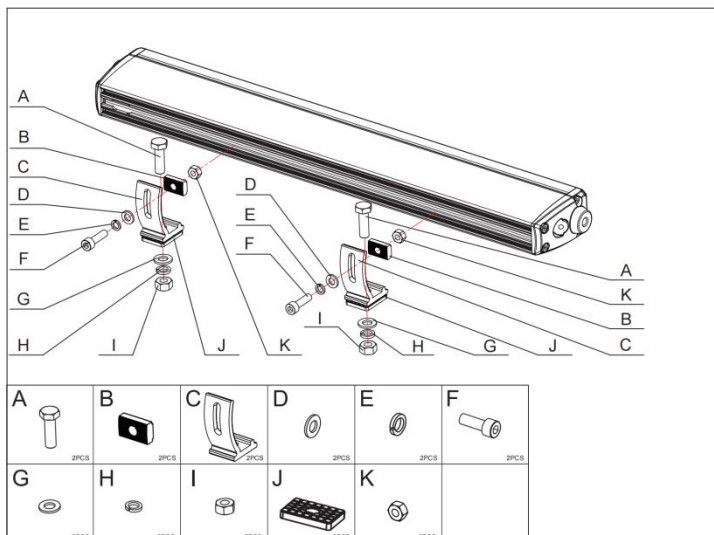
WHITE+YELLOW

DRIVING BEAM

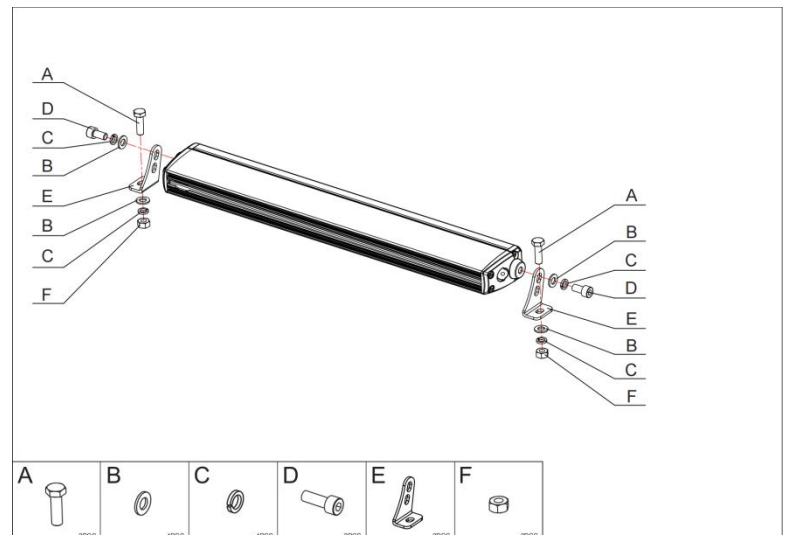


MOUNTING INSTALL INSTRUCTION

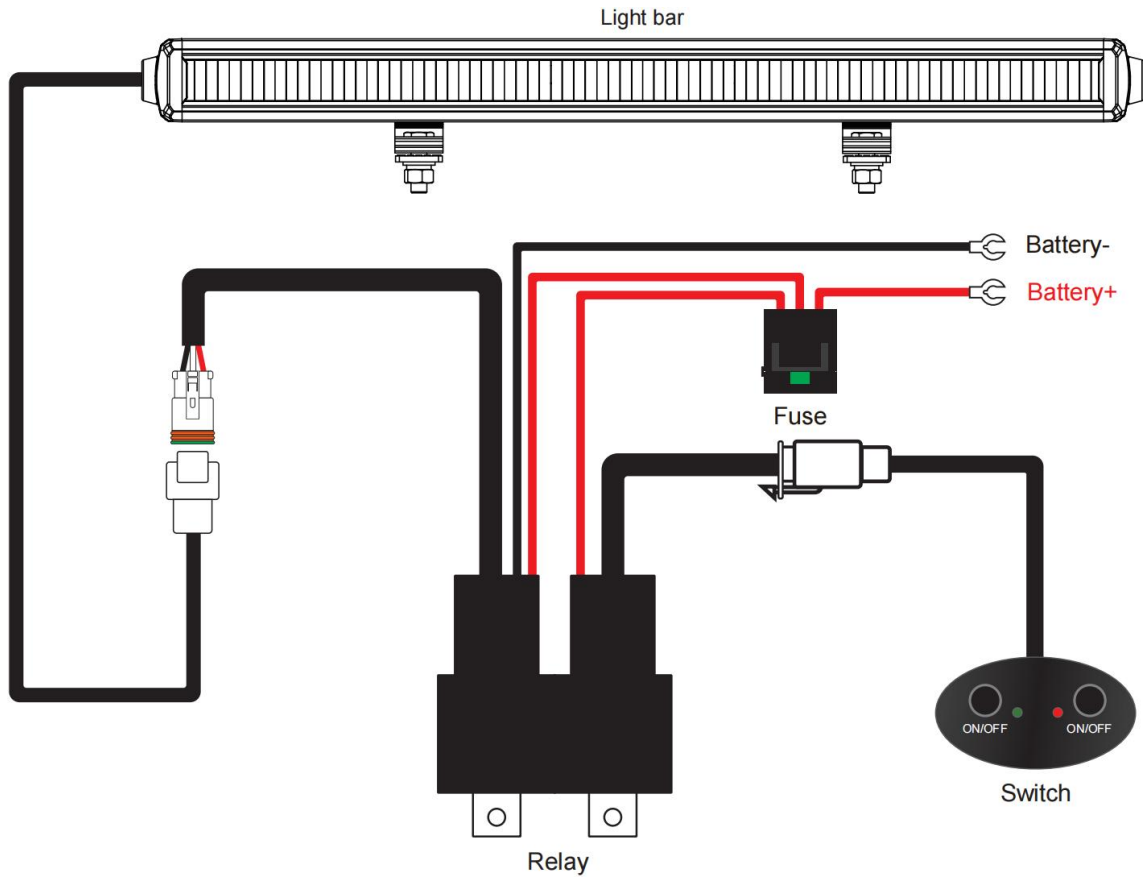
Bottom Mounts



Side Mounts



INSTALL INSTRUCTION



Wiring Harness 84472 Sold Separately

1. Determine suitable mounting locations to install the LED light bar, wiring harness and switch. Once all mounting locations are confirmed, connect the wires as shown above. Proper insulation at connections is required.
2. Connect positive and negative wire properly. Press the switch button to test if the light bar is functioning properly.
3. Adjust the light to the desired angle and then secure by tightening all mounting screws.