



### WHAT'S INCLUDED:

- 1 x LED Pod
- 1 x U Mount Brackets
- Mounting Hardware

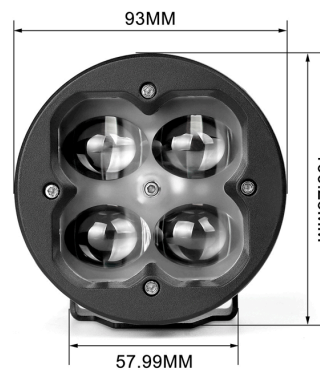
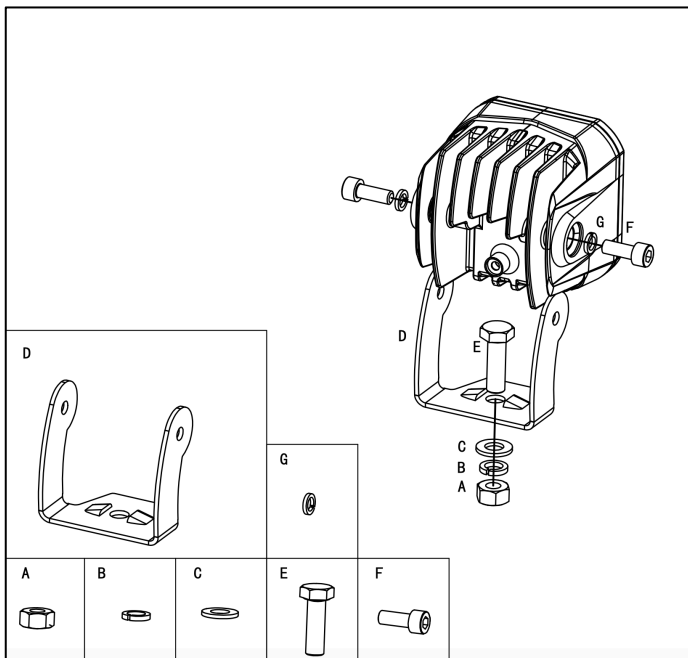
## L5 SERIES POD

### 5G3611/5G3511 L5 SERIES POD 3" ROUND LED POD LIGHTS U MOUNT

### FEATURES & SPECIFICATIONS:

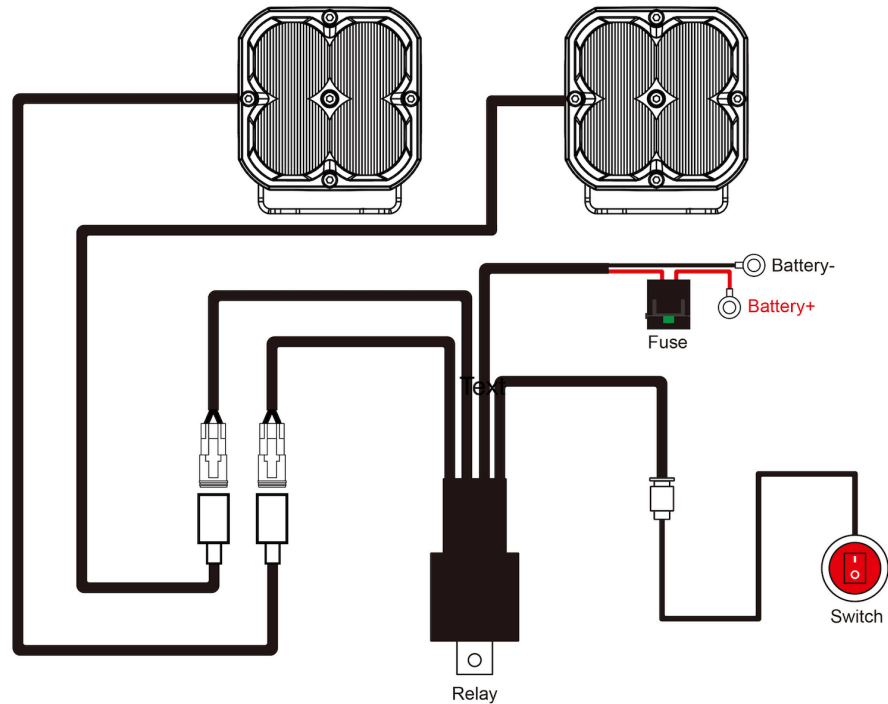
- Light Output: 1,500 Lumens (Per Light)
- Power: 20W @ 13.6V DC
- Current: 1.5A @ 13.6V DC
- Voltage: 10 - 36V DC
- Dimension (H,W,D): 9.3 x 9.3 x 6.7 cm
- IP Rating: IP 67
- Beam Pattern:  
SKU 5G3611: Fog Beam (SAE J583)  
SKU 5G3511: Auxiliary High Beam (SAE J581)

### MOUNTING BRACKET INSTALL INSTRUCTION



## INSTALL INSTRUCTION

---



Wiring Harness (840002) sold separately

1. This installation guide is for the following SKUs:
  - 5G3611 - L5 Series Pod, 3" Round LED Pod Lights, Fog Beam, U Mount
  - 5G3511 - L5 Series Pod, 3" Round LED Pod Lights, Driving Beam, U Mount
2. Determine and suitable mounting locations to install the LED Pods, wiring harness and switch. Once all mounting locations are confirmed, connect the wires as shown above. Proper insulation at connections is required.
3. Connect positive wire and negative wire properly. Press the switch to test if the lights are functioning properly.
4. Adjust the light to the desired angle and then secure by tightening all mounting screws.