



**WHAT'S INCLUDED:**

- 1 x LED Pod
- 1 x U Mount Brackets
- Mounting Hardware

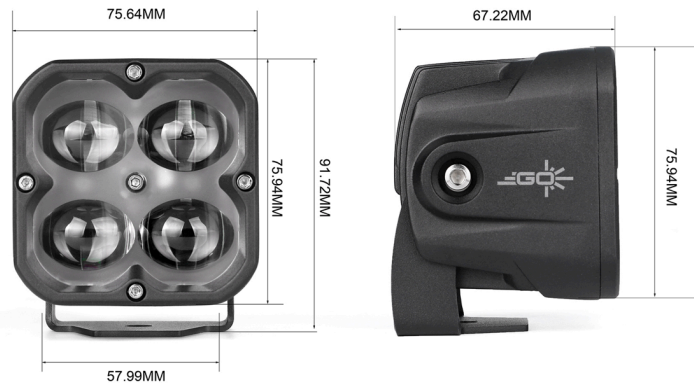
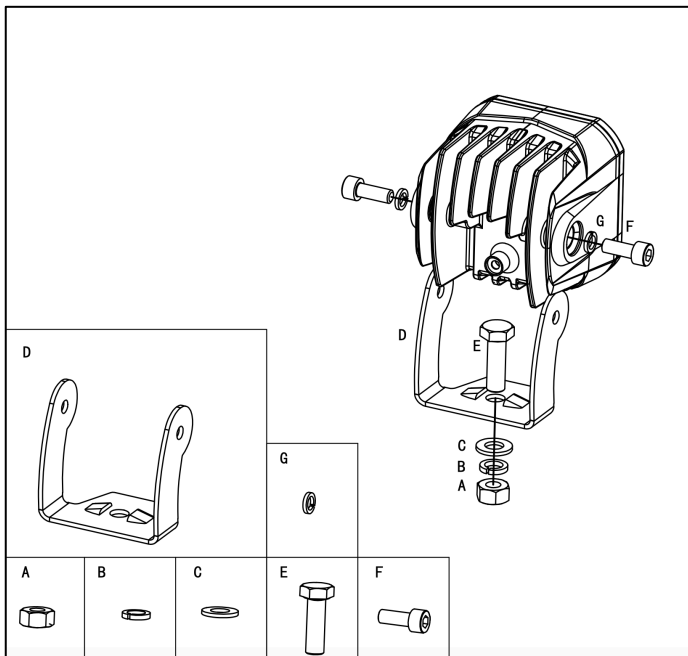
**L5 SERIES POD**

**5G3510/5G3610/6G3110/  
6G3310**  
**L5 SERIES POD**  
**3" CUBE LED POD LIGHTS**  
**U MOUNT**

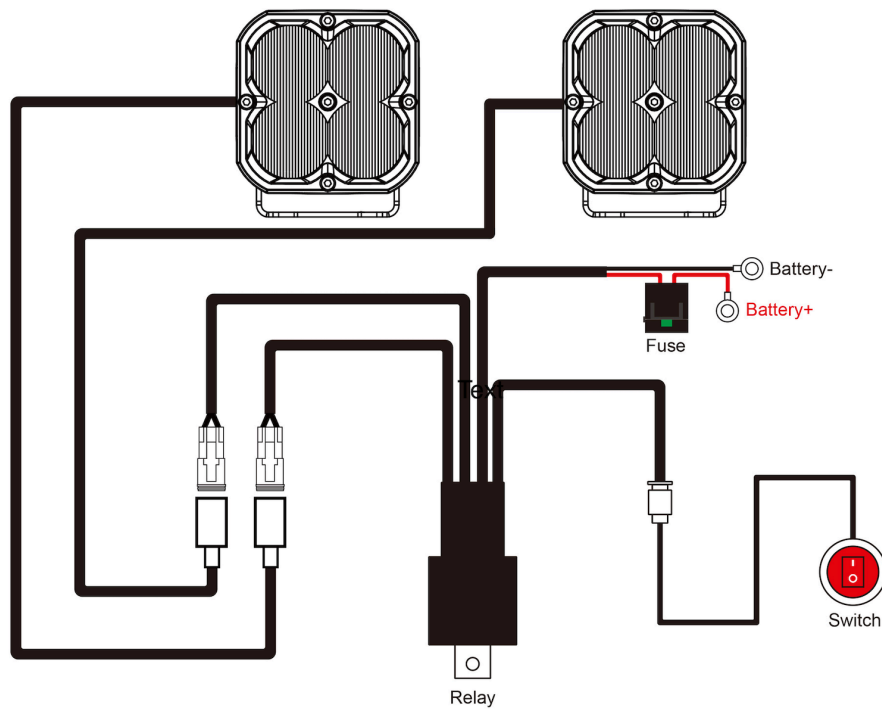
**FEATURES & SPECIFICATIONS:**

- Light Output: 1,500 Lumens (Per Light)
- Power: 20W @ 13.6V DC
- Current: 1.5A @ 13.6V DC
- Voltage: 10 - 36V DC
- Dimension (H,W,D): 7.6 x 7.6 x 6.7 cm
- IP Rating: IP 67
- Beam Pattern:
  - SKU: 5G3610: Fog Beam (SAE J583)
  - SKU: 5G3510 Auxiliary High Beam (SAE J581)
  - SKU: 6G3110 Flood/Reverse (SAE J593)
  - SKU: 6G3310 Spot Beam

**MOUNTING BRACKET INSTALL INSTRUCTION**



## INSTALL INSTRUCTION



Wiring Harness (840002) sold separately

1. This installation guide is for the following SKUs:

- 5G3610 - L5 Series Pod, 3" Cube LED Pod Lights, Fog Beam, U Mount
- 5G3510 - L5 Series Pod, 3" Cube LED Pod Lights, Driving Beam, U Mount
- 6G3110 – L5 Series Pod, 3" Cube LED Pod Lights, Flood Beam, U Mount
- 6G3310 – L5 Series Pod, 3" Cube LED Pod Lights, Spot Beam, U Mount

2. Determine and suitable mounting locations to install the LED Pods, wiring harness and switch. Once all mounting locations are confirmed, connect the wires as shown above. Proper insulation at connections is required.
3. Connect positive wire and negative wire properly. Press the switch to test if the lights are functioning properly.
4. Adjust the light to the desired angle and then secure by tightening all mounting screws.